



ULTRA QUIET & OIL FREE

**AIR COMPRESSOR
MOTOR/PUMP**

OWNER'S MANUAL

CALIFORNIA AIR TOOLS

200CR

2.0 HP

110 VOLTS 60 HERTZ

6.00 CFM @ 40 PSI

5.00 CFM @ 90 PSI



TABLE OF CONTENTS

INTRODUCTION _____	2
IMPORTANT SAFETY INSTRUCTIONS _____	3
LOCATIONS OF IMPORTANT LABELS _____	6
COMPONENTS _____	7
PRE-OPERATION CHECKLIST _____	8
Package Contents _____	8
Inspect for Damage _____	8
Save Packaging _____	8
Location _____	9
Electrical Power _____	9
OPERATION _____	10
Introduction _____	10
Test Run _____	10
Daily Operation _____	10
MAINTENANCE _____	11
Changing the Air Filter _____	11
Cleaning _____	11
STORAGE _____	11
TROUBLESHOOTING _____	12
SPECIFICATIONS _____	13
Electrical Circuit _____	13
WARRANTY _____	14

INTRODUCTION

WARNING

This manual contains important instructions for operating this product. For your safety, and the safety of others, be sure to read this manual thoroughly before operating the product.

Failure to properly follow all the instructions and precautions can cause you and others to be seriously hurt or killed.

Thank you for purchasing a California Air Tools product.

Please contact us if you have any questions.

Record the model and serial numbers indicated on your nameplate:

Model No. _____

Serial No. _____

Date of Purchase: _____

Store/Dealer: _____

How to find a local service center:

Even quality built equipment might need service or repair parts. Contact the California Air Tools Customer Service Department:

Phone: 1-866-409-4581

Online: WWW.CALIFORNIAAIRTOOLS.COM

Please provide the information below:

Model number and Serial number and specifications shown on the Model number/Serial number plate.

Part number or numbers shown in the parts list section of the owner's manual for your model.

A brief description of the issue.

IMPORTANT SAFETY INSTRUCTIONS

⚠ DANGER

Indicates an immediate hazardous situation which, if not avoided, will result in death or serious injury to the operator or to bystanders.

⚠ WARNING

Indicates a potentially hazardous situation which, if not avoided, could result in death or serious injury to the operator or to bystanders.

Safety Messages & Signal Words:

⚠ CAUTION

Indicates a potentially hazardous situation which, if not avoided, may result in moderate or minor injury to the operator or to bystanders.

NOTICE

Indicates a situation which, if not avoided, may result in damage to product components or other property.

⚠ DANGER



RISK OF CUTTING

Moving parts can cause severe trauma.

Keep hands and feet away from rotating parts, tie up long hair, remove jewelry, and DO NOT wear loose clothing.

⚠ DANGER



SHOCK

There is a danger of electric shock.

Use only undamaged electrical cords.

DO NOT touch bare wires or receptacles.

DO NOT operate air compressor in wet weather or in wet conditions.

DO NOT touch air compressor or cords if hands or feet are wet.

Ensure that all cords are free of damage before connecting to the power supply.

Ensure that you have a sufficient electrical supply for supporting the requirements of the motor.

Improper installation of the grounding plug is able to result in a risk of electric shock. When repair or replacement of the cord or plug is required, do not connect the grounding wire to either flat terminal. The wire with insulation having an outer surface that is green with or without yellow stripes is the grounding wire.

This product must be grounded. In the event of an electrical short circuit, grounding reduces the risk of electrical shock by providing an escape wire for the electric current.

This product is equipped with a cord having a grounding wire with an appropriate grounding plug. The plug must be plugged into an outlet that is properly installed and grounded in accordance with the local codes and ordinances.

This product is for use on a nominal 120-V circuit and has a grounding plug similar to the plug illustrated in sketch A. Only connect the product to an outlet having the same configuration as the plug.

Do not use an adapter with this product.

⚠️ WARNING



RISK TO BREATHING

Dust or dust-like particulates caused by power-sanding, sawing, grinding, drilling or any other construction-like activities can contain contaminants that are harmful to breathe.

Always use your air compressor in a well-ventilated and clean area.

Never breathe the air that comes directly out of the air compressor or air hose. This air is not suitable for breathing.

Always wear approved safety equipment. When performing dust-creating activities, securely wear properly-fit face masks or respirators.

If you feel ill from breathing while operating your air compressor, stop and seek medical attention immediately.

⚠️ WARNING



FLYING OBJECTS

Flying objects can cause injury to the eyes, head and other parts of the body.

Air-powered equipment and power tools are capable of propelling items (metal chips, fasteners and particulates) at high speed into the air and could result in injury.

Always wear approved head and eye protection.

Never point the air stream at any part of your body, or at another person or animal.

When operating the air compressor, make sure all other people and animals maintain a safe distance.

Do not move the air compressor when the air tank is under pressure.

Never use the air hoses to pull or move the air compressor.

Keep the air compressor on a flat surface.

⚠️ WARNING



HOT SURFACE



FIRE

Air compressor surfaces become hot during operation.

DO NOT touch hot surfaces, because they can cause severe burns.

Do not touch the air compressor's cylinder head. During operation, the cooling fins of the cylinder head and delivery pipe become hot.

Allow the air compressor to cool before touching it.

DO NOT place a storage cover on the unit during operation. Only place a cover on the air compressor after it has thoroughly cooled down.

⚠️ WARNING



EXPLOSION

Exercise caution when using pressurized air.

To prevent injury and for your general safety, only use high-pressure hoses, fittings and couplings designed for use with air compressors.

Inspect all hoses, fittings and couplings for leaks and wear. When leaks and wear are detected, stop use and replace those items immediately. Do not repair.

Never leave pressurized air in the air tank when performing maintenance.

Never leave the air compressor unattended with the power supply in use and the air hose connected.

⚠ WARNING



EXPLOSION

Improper care could lead to the air tank bursting or exploding.

Drain air tank daily or after each use to prevent moisture buildup in the air tank.

Rust can weaken the air tank and cause leaks or bursting. If rust is detected, replace tank immediately. Do not try to repair the air tank by welding, drilling or modifying it in any other way. These modifications can weaken the air tank and cause a hazardous condition.

If air tank develops a leak, replace the air tank immediately. Never repair, weld or make modifications to the air tank or its attachments.

Never make adjustments to the factory-set pressures.

Never exceed manufacturer's maximum-allowable pressure rating attachments.

Because of extreme heat, do not use plastic pipe or lead tin solder joints for a discharge line.

⚠ WARNING



EXPLOSION



FIRE

Use caution to minimize risk of fire or explosion.

It is normal for the air compressor motor and pressure switch to produce sparks while operating. If sparks come in contact with vapors from gasoline or solvents, they may ignite and cause a fire or explosion.

Abrasive tools such as grinders, drills and other tools are capable of making sparks that can ignite flammable materials.

Always operate the air compressor a safe distance away from flammable items. Use in well-ventilated areas.

Never exceed the maximum rated pressure.

⚠ CAUTION

Use caution when using extension cords.

Use an extension cord which is no more than 25' (7.6 m) long and at least 14 gauge.

Using an excessively long or thin-wired extension cord will cause severe damage to the motor.

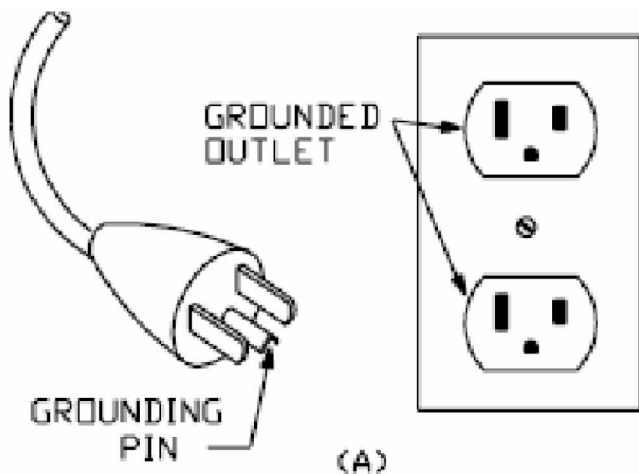
Use only a 3-wire extension cord that has a 3-blade grounding plug.

As undersized cord results in a drop in the line voltage and loss of power and overheating.

When in doubt, use a heavier gauge. The smaller the gauge the more current the cord can carry.

⚠ CAUTION

THIS EQUIPMENT INCORPORATES PARTS, SUCH AS SNAP SWITCHES, RECEPTACLES AND THE LIKE THAT TEND TO PRODUCE ARCS OR SPARKS, THERE, WHEN LOCATED IN A GARAGE, IT SHOULD BE IN A ROOM OR ENCLOSURE PROVIDED FOR THE PURPOSE, OR SHOULD BE 18 IN (45.7 CM) OR MORE ABOVE THE FLOOR.






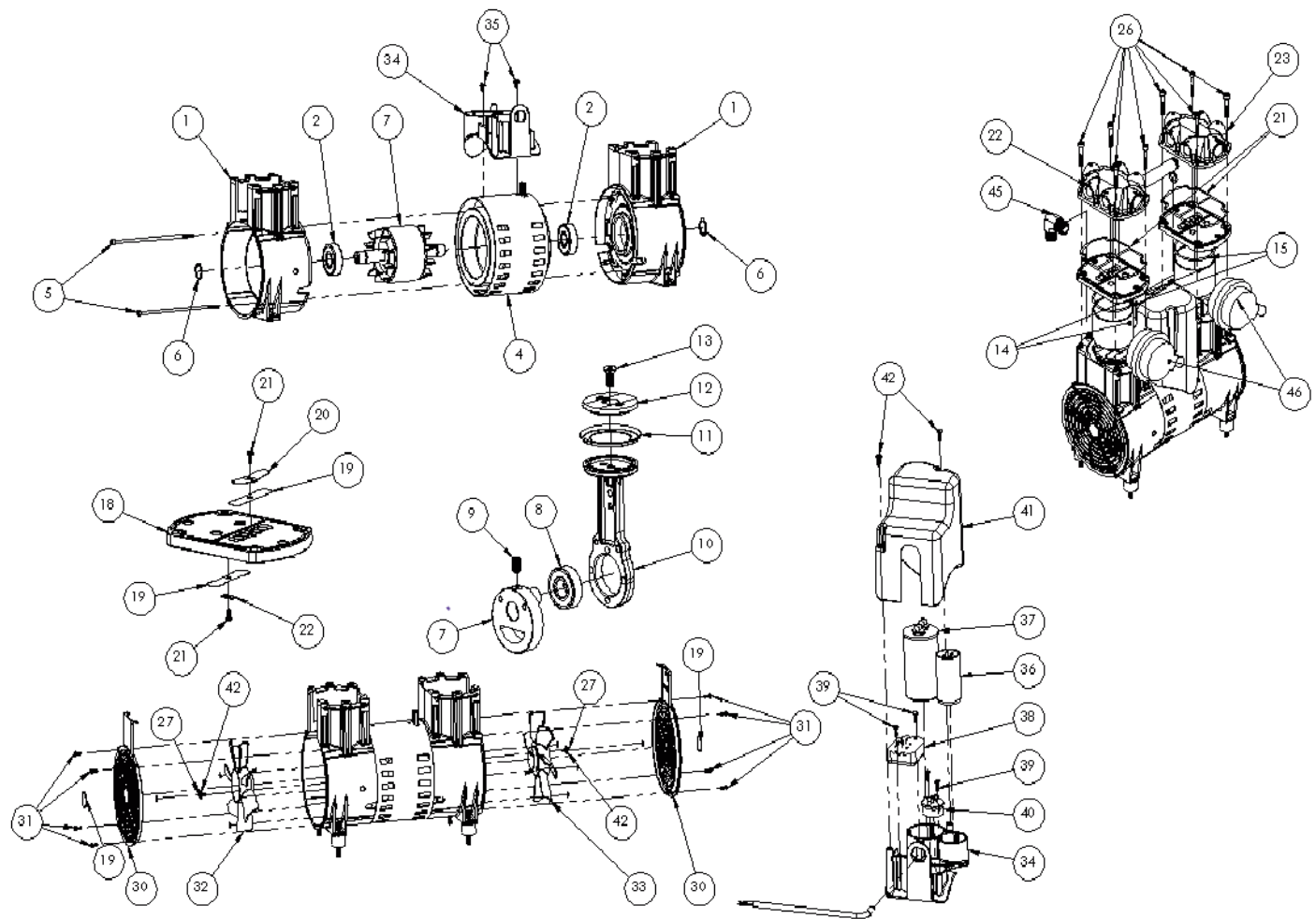
LOCATIONS OF IMPORTANT LABELS

Read these important labels before operating.

These labels provide important safety and maintenance information. These labels should be considered as permanent parts of the air compressor. Should any of these labels become illegible, damaged or removed, please contact California Air Tools Customer Service department at 1-866-409-4581 for replacements



PRODUCT LABEL	
A	
B	
C	 <div style="border: 1px solid black; padding: 5px; width: fit-content;"> <p>WARNING</p> <p>HOT SURFACES. Do NOT touch Allow to cool before servicing.</p> </div>
D	<div style="border: 1px solid black; padding: 10px;"> <p style="text-align: center;">OIL-FREE AIR COMPRESSOR</p> <p>MODEL _____ V _____ Hz _____ μF _____</p> <p>S/N _____ W _____ A _____</p> <p>RED \rightarrow _____</p> <p>RED \rightarrow _____</p> <p>BLACK \rightarrow _____</p> <p>BLACK \rightarrow _____</p> <p style="text-align: center;">WARNING</p> <p style="font-size: small;">THIS MOTOR IS THERMALLY PROTECTED AND WILL AUTOMATICALLY RESTART WHEN PROTECTOR RESETS. ALWAYS DISCONNECT POWER SUPPLY BEFORE SERVICING.</p> <p style="text-align: right;"> DO NOT LICKIFY</p> </div>
E	
F	
G	
H	



NO.	Part	NO.	Part	NO.	Part
1	Housing	21	Head gasket	41	Screw, M4 x 10mm FBHSCS
2	Bearing- Housing	22	Head	42	18-8 Stainless Steel Washer
3	Rotor and Shaft	23	Head	43	Vibration Damping 1/4"-20x3/4.
4	Strator and Shell	24	Connector Tube	44	Logo CAT Label Fan Cover
5	Screw,M5tx160mmSHCS	25	Connector Tube O-ring	45	Elbow 90
6	Crank Spacer	26	Screw, M6 x 40mm SHCS	46	Air Filter
7	Crank	27	Fan Cover		
8	Bearing-Piston-6204	28	Screw, M4 x 10mm BHSCS		
9	Set Screw, M10 x 1.0-6g	29	Fan-OLE (Black)		
10	Piston	30	Fan-LE (White)		
11	Piston Seal	31	Capacitor Bracket		
12	Retainer	32	Motor Shell Screw		
13	Screw, M8 x 20mm FHSCS	33	Start Capacitor		
14	Cylinder	34	Run Capacitor		
15	Cylinder O-ring	35	Electronic Switch		
16	Valve Plate	36	Switch, Protector Screw		
17	Valve	37	Protector		
18	Valve Stop	38	Capacitor Cover		
19	Screw,M3 x 8mm BHSCS	39	Cover Screw		
20	Valve Washer	40	CRLP2-110V Leads		

PRE-OPERATION CHECKLIST

Package Contents

Model: 200CR

Package contents:

- (1) Motor/Pump
- (1) Owner's Manual
- (2) Air Filters
- (4) Motor Mounts
- (1) Elbow (attached)

Inspect for Damage

Before using this product, inspect all parts for damage.

Do not use this product if any damage is found. If damaged, return to dealer where item was purchased from.

⚠ WARNING



RISK TO BREATHING

Dust or dust-like particulates caused by power-sanding, sawing, grinding, drilling or any other construction-like activities can contain contaminants that are harmful to breathe.

Always use your air compressor in a well-ventilated and clean area.

Never breathe the air that comes directly out of the air compressor or air hose. This air is not suitable for breathing.

Always wear approved safety equipment. When performing dust-creating activities, securely wear properly-fit face masks or respirators.

If you feel ill from breathing while operating your air compressor, stop and seek medical attention immediately.

⚠ WARNING



EXPLOSION



FIRE

Use caution to minimize risk of fire or explosion.

It is normal for the air compressor motor and pressure switch to produce sparks while operating. If sparks come in contact with vapors from gasoline or solvents, they may ignite and cause a fire or explosion.

Abrasive tools such as grinders, drills and other tools are capable of making sparks that can ignite flammable materials.

Always operate the air compressor a safe distance away from flammable items. Use in well-ventilated areas.

Never exceed the maximum rated pressure.

Location

Use on Flat Surface

For proper operation, this product must be placed on a flat surface with an incline no greater than 15 degrees

Maintain a Clear Area

It is very important that the motor/pump is positioned so that there is adequate airflow around the product. There must be at least 2 feet of obstacle-free space surrounding the motor/pump.

Use in Areas with Clean Air

The motor/pump should not be used in areas where dust or particulates are in the air.

This will cause damage to the motor/pump and impair proper operation.

IMPORTANT: Always use the air filter, properly installed.

Save Packaging

IMPORTANT: Save all outside packaging in case you ever need to return the product for service or repair.

Electrical Power

Electrical Power Requirements

Before using the motor/pump, refer to the serial label for voltage and amperage requirements. Make sure you have a sufficient electrical supply for supporting the motor's requirements.

Use a dedicated (110v 60hz) (15 amp) power supply.

Low voltage and/or an overload circuit can cause the motor's overload protection system circuit breaker to trip.

If used as an air compressor with air tank.

Use a dedicated (110v 60hz) (15 amp) power supply

Max: 14 gauge 100ft extension cord

Min: 3000 Watt Running Generator

⚠ DANGER



SHOCK

There is a danger of electric shock.

Use only undamaged electrical cords.

DO NOT touch bare wires or receptacles.

DO NOT operate air compressor in wet weather or in wet conditions.

DO NOT touch air compressor or cords if hands or feet are wet.

Ensure that all cords are free of damage before connecting to the power supply.

Ensure that you have a sufficient electrical supply for supporting the requirements of the motor.

Improper installation of the grounding plug is able to result in a risk of electric shock. When repair or replacement of the cord or plug is required, do not connect the grounding wire to either flat terminal. The wire with insulation having an outer surface that is green with or without yellow stripes is the grounding wire.

This product must be grounded. In the event of an electrical short circuit, grounding reduces the risk of electrical shock by providing an escape wire for the electric current.

This product is equipped with a cord having a grounding wire with an appropriate grounding plug. The plug must be plugged into an outlet that is properly installed and grounded in accordance with the local codes and ordinances.

This product is for use on a nominal 120-V circuit and has a grounding plug similar to the plug illustrated in sketch A. Only connect the product to an outlet having the same configuration as the plug.

Do not use an adapter with this product.

WIRING MOTOR/PUMP

Wiring Instructions

Black & White Wires (hot) - To Power Supply

Green Wire - To Ground

⚠ WARNING



HOT SURFACE



FIRE

Air compressor surfaces become hot during operation.

DO NOT touch hot surfaces, because they can cause severe burns.

Do not touch the air compressor's cylinder head. During operation, the cooling fins of the cylinder head and delivery pipe become hot.

Allow the air compressor to cool before touching it.

DO NOT place a storage cover on the unit during operation. Only place a cover on the air compressor after it has thoroughly cooled down.

OPERATIONS

Save this manual for future reference.

Introduction

This air compressor features a compact structure, stable performance, a high airflow rate, easy operation and maintenance. Because the motor/pump produces no oil in the airflow, it can be used as an independent air supply machine for situations in which oil in the airflow is an issue. The motor directly drives the pistons and is able to function without lubrication for a long period of time.

⚠ WARNING

This manual contains important instructions for operating this product. For your safety, and the safety of others, be sure to read this manual thoroughly before operating the product.

Failure to properly follow all the instructions and precautions can cause you and others to be seriously hurt or killed.

Test Run

Using Motor/Pump as an Air Compressor with Air Tank.

1. Turn the power switch to the OFF position.
Plug the power supply cord into a power supply socket.
Start the air compressor by turning the power switch to the ON position.
The pressure gauge reading will slowly rise as pressure increases inside the air tank.
When the gauge reading reaches the pressure switch will automatically turn the power off. This indicates the compressor is working normally.
2. Turn the power switch to the Off position, unplug the power supply cord and release the air in the tank by pulling on the safety valve. At this point proceed to the next step (daily operations).

Note: If the Air Compressor is not working properly, the pressure gauge will indicate that there is a decrease in pressure in the air tank. If there is an air leak from the compressor the pressure in the air tank decreases, the pressure switch resets and the motor automatically turns back on.

⚠ WARNING



FLYING OBJECTS

Flying objects can cause injury to the eyes, head and other parts of the body.

Air-powered equipment and power tools are capable of propelling items (metal chips, fasteners and particulates) at high speed into the air and could result in injury.

Always wear approved head and eye protection.

Never point the air stream at any part of your body, or at another person or animal.

When operating the air compressor, make sure all other people and animals maintain a safe distance.

Do not move the air compressor when the air tank is under pressure.

Never use the air hoses to pull or move the air compressor.

Keep the air compressor on a flat surface.

Daily Operation

Starting as an air compressor:

1. Turn the power switch to the OFF position.
2. Attach air hose
3. Check that all air fitting are tight and closed.
4. Maintain 2 feet of open space around the air compressor
5. Plug the power supply.
6. Turn the power switch to the ON position.
7. Do not use continuously (running) for more than 8 hours of continuous running at 90 PSI and 12 hours at 40 PSI

Shutting down the compressor:

1. Turn the power switch to the OFF position.
2. Unplug the power supply cord.

MAINTENANCE

Cleaning or Changing the Air Filter

The air filter is designed to reduce noise and help prevent particulates in the air from entering and damaging the air compressor.

After being used for a period of time, the air filter will become clogged. This will reduce the air intake capabilities of the air compressor, reducing performance. Therefore, the air filter must be cleaned or replaced regularly.



Cleaning Motor/Pump

Clean items with a soft brush, or wipe with a moistened cloth using a biodegradable solvent.

Do not use flammable liquids such as gasoline or alcohol. Always keep parts clean from dirt and dust for better performance.

Use a blow gun to blow out any dust or debris inside the motor.

STORAGE

Before storing for a prolonged period of time:

1. Turn off the power supply.
2. Disconnect the power cord from the power supply and wrap the power cord around the air compressor handle to reduce the risk of damage.
3. Release all the pressure and moisture from the air tank by manually opening the drain valve.
4. Clean the air compressor to remove all dirt and dust.
5. Cover the air compressor with a cover to protect the unit from dust and moisture.
6. Do not stack or store any items on top of or around the air compressor. Damage could occur.

CAUTION

**TO REDUCE THE RISK OF ELECTRIC SHOCK,
DO NOT EXPOSE TO RAIN.**

STORE INDOORS.

TROUBLESHOOTING

PROBLEM	POSSIBLE CAUSE	POSSIBLE SOLUTIONS
Pressure drop in the tank.	Air leaks at connections.	Let the compressor build pressure in the tank, to the maximum pressure if possible. Brush soapy water on air connections and look carefully for air bubbles. Tighten leaky connections. If the problem persists, contact the seller for further advice.
The unloader valve leaks when the compressor is idle.	Unloader valve seal is defective.	Let the air in the air tank flow out until all the pressure is released. Then remove the unloader valve plug and clean the valve seal. If necessary, replace the seal and then reinstall all components.
The compressor stopped and does not start.	The thermal protector turned on because the motor is overheating.	Check that the main voltage corresponds to the air compressor specifications. An extension cord that is too thin or too long can cause a voltage drop and cause the motor to overheat. Excessive use Allow the motor to cool down.
	Motor windings are burned out.	Contact Customer Support.
The motor does not start and makes a humming noise.	Capacitor is burned out.	Contact Customer Support
The motor does not start or starts slowly.	Low voltage supply to the motor.	Check that the main voltage corresponds to the air compressor specifications. An extension cord that is too thin or too long can cause a voltage drop.. Use heavy duty extension cords. Ensure that the air compressor is plugged into a fully functional power outlet
Noisy with metallic clangs.	Motor/Pump head gasket or reed valve is damaged	Stop the compressor and contact the part dealer.
The compressor does not reach the maximum pressure.	Motor/Pump head gasket or reed valve is faulty.	Stop the compressor and contact the part dealer.
The compressor doesn't seem to provide as much air as it did when new and/or the compressor cuts off within a much shorter time period.	The pressure switch needs adjusting.	Stop the compressor and contact the part dealer.
	The tank is full of water due to condensation.	Open the drain valve and release the water from the tank.
The motor pump unit does not stop when the tank pressure reaches its maximum working pressure.	Pressure switch defective or needs adjusting.	Stop the compressor and replace part.

SPECIFICATIONS

CALIFORNIA AIR TOOLS 200CR

2.0 Hp Continuous Ultra Quiet & Oil-Free Pump/Motor

6.25 CFM @ 40 PSI

5.00 CFM @ 90 PSI

* Ultra Quiet - Only 75 decibels

* Oil-Free Pump – Cleaner air for better tool operation.
Less maintenance and Costs.

* Thermal Overload Protector

* 125 PSI Maximum Pressure

* Ports - 1/2" NPT

* Output Elbow - 3/8" NPT

* 110v / 60 hz

* Low Amp Draw - 14 Amps

* Power Requirements:

Dedicated 15 amp outlet

3000 Watt (running) Generator

Extension Cord: 14 gauge 100ft cord

GFCI - Ok

* Maximum Operating (ambient)

Temperatures: 0 to 50°C (32 to 122°F)

* 37 pounds

* L (12.20") x W (8.58") x H (13.38")

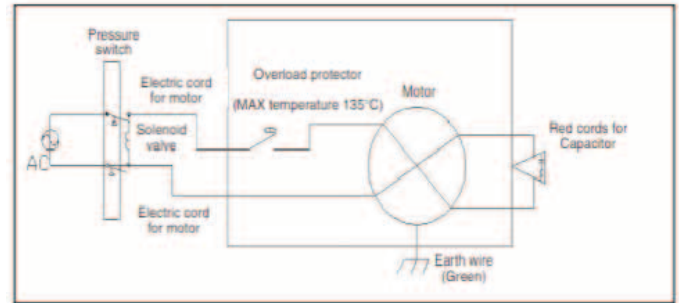
* Comes complete with Elbow (attached)
(2) Air Filter s and (4) Shock Struts

* 1 Year Limited Warranty

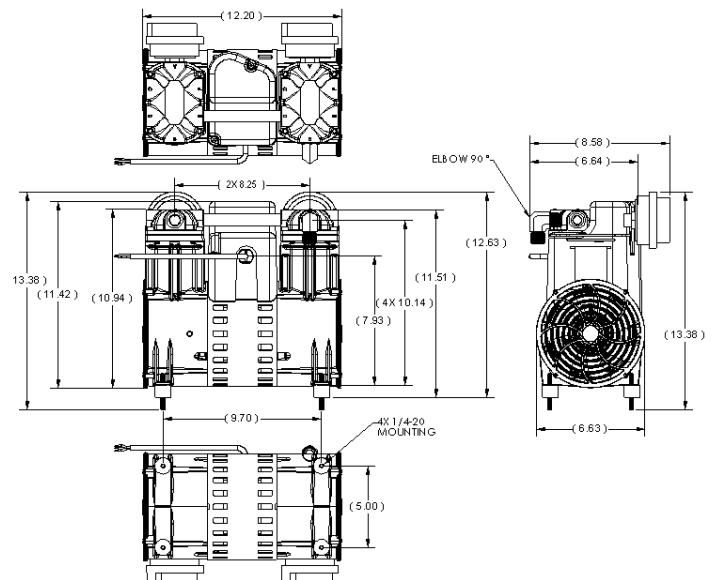
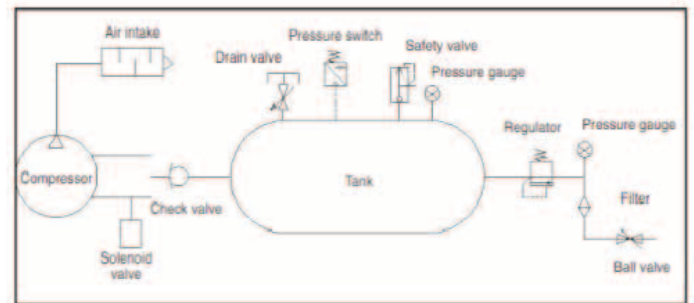
* Made in USA

San Diego, California

Electrical Circuit



Air Passage Drawing



CALIFORNIA AIR TOOLS INC. LIMITED WARRANTY

This warranty is limited to Air Compressors distributed by:

California Air Tools, Inc.
8560 Siempre Viva Road
San Diego, CA 92154

Limited Warranty

California Air Tools Inc. will repair or replace, free of charge, to the original retail customer who purchased a California Air Tools, Inc. Air Compressor from an authorized dealer, distributor or distributor's dealer in North America.

This warranty does not transfer to subsequent owners.

California Air Tools Inc. will repair or replace, at its option, any parts of the portable air compressor that are proven by an authorized service center to be defective in material or workmanship under normal use during the applicable warranty time period as stated below. This limited warranty covers the cost of the replacement parts and labor for all defects when installed by an authorized service center. Transportation charges are the responsibility of the customer. Any part replaced under warranty becomes the property of California Air Tools Inc.

All parts replaced under warranty will be considered as part of original product, and any warranty on those parts will expire coincident with the original product warranty.

Limited Warranty Periods

Non-commercial / Non-rental (personal use by a retail customer):	1 year parts and labor
Commercial / Rental (usage for income, business use):	1 year parts and labor

The limited warranty period begins on the date of retail purchase by the original purchaser.

Disclaimers, Limitations of Remedies & Exclusions

This warranty gives you specific legal rights, and you may also have other rights which may vary from state to state.

Disclaimer of Other Warranties

To the fullest extent permitted by applicable law, this limited warranty is exclusive and expressly in lieu of any and all other warranties, including, without limitation, any implied warranties of merchantability or fitness for a particular purpose or any other implied warranties that may arise from the course of dealing or usage of the trade. California Air Tools Inc. hereby disclaims and excludes all other warranties. To the extent that California Air Tools Inc. products are consumer products under applicable federal and state law with respect to any customer, the duration of any implied warranties (including but not limited to implied warranties of merchantability or fitness for a particular purpose) are limited to the shortest duration permitted by applicable law or the Limited Warranty period provided herein, whichever is longer.

Limitations of Remedies

California Air Tools Inc. shall not be liable to customer, or anyone claiming under customer, for any other obligations or liabilities, including but not limited to, obligations or liabilities arising out of breach of contract or warranty, negligence or other tort or any theory of strict liability, with respect to the air compressor or California Air Tools Inc. acts or omissions or otherwise. To the fullest extent permitted by applicable law, California Air Tools Inc. shall not in any event be liable for incidental, compensatory, punitive, consequential, indirect, special or other damages, including but not limited to loss of use, loss of income, loss of time, loss of sales, injury to personal property, or liability customer incurs with respect to any other person, or any other type or form of consequential damage or economic loss.

Exclusions

In addition to the foregoing disclaimers, limitations and terms, this limited warranty shall not apply to and does not cover accessories, nor does it cover products that are in any way subject to any of the following:

1. Improper setup, installation or storage.
2. Lack of proper maintenance and service.
3. Accident, damage, abuse or misuse.
4. Abnormal operating conditions or applications.
5. Repair or modification by customer or any third party without written consent of California Air Tools Inc.
6. Use under operating conditions or in applications not recommended by California Air Tools Inc.
7. Normal wear.
8. The use of accessories or attachments not recommended by California Air Tools Inc.
9. Acts of God.

The application of these exclusions will be determined at the sole discretion of California Air Tools Inc.

Registration

Warranty registration with California Air Tools Inc. is required on all products.

You can mail the enclosed registration form or register on-line at www.californiaairtools.com.

Click on the Customer Service Tab and the Product Registration Tab.

Trouble Shooting & Maintenance Guide

California Air Tools provides information on our website WWW.CALIFORNIAAIRTOOLS.COM.

The trouble Shooting & Maintenance Guide provides valuable information regarding set-up, operation, maintenance and trouble shooting.

Please visit our website and view these videos for beneficial information.

Service or Parts

Warranty is also available by keeping and showing your original receipt from the date of purchase to an Authorized California Air Tools Service Center.

For customer service (M - Th) 8am - 4pm Pacific Time)

1-866-409-4581

or visit

WWW.CALIFORNIAAIRTOOLS.COM

Go to the “Contact Us” Tab

Click on “Service” or the “Parts” Buttons for the Fastest Service.