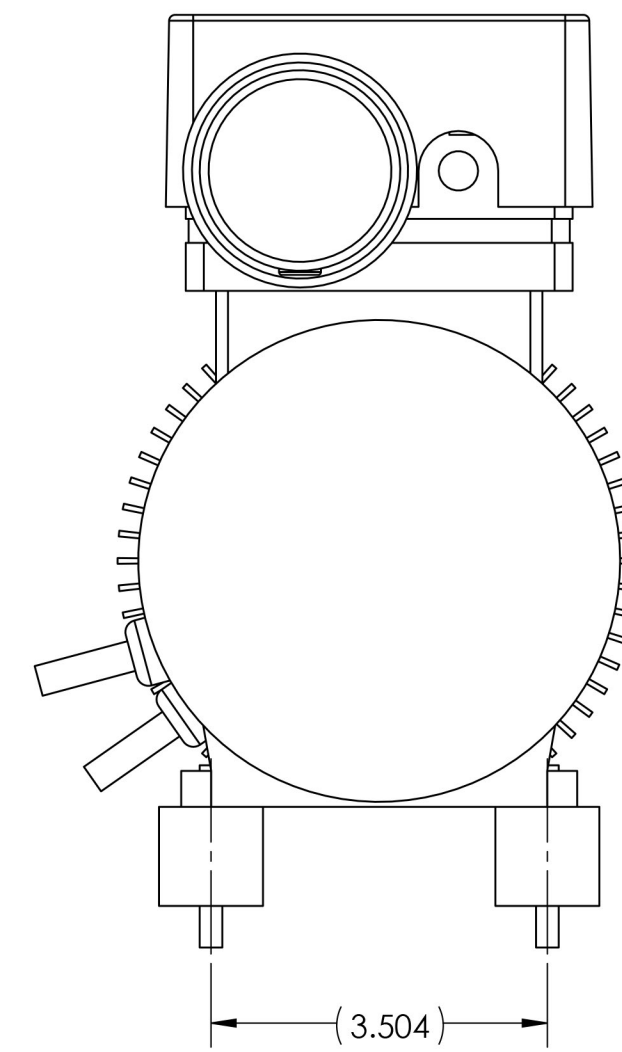
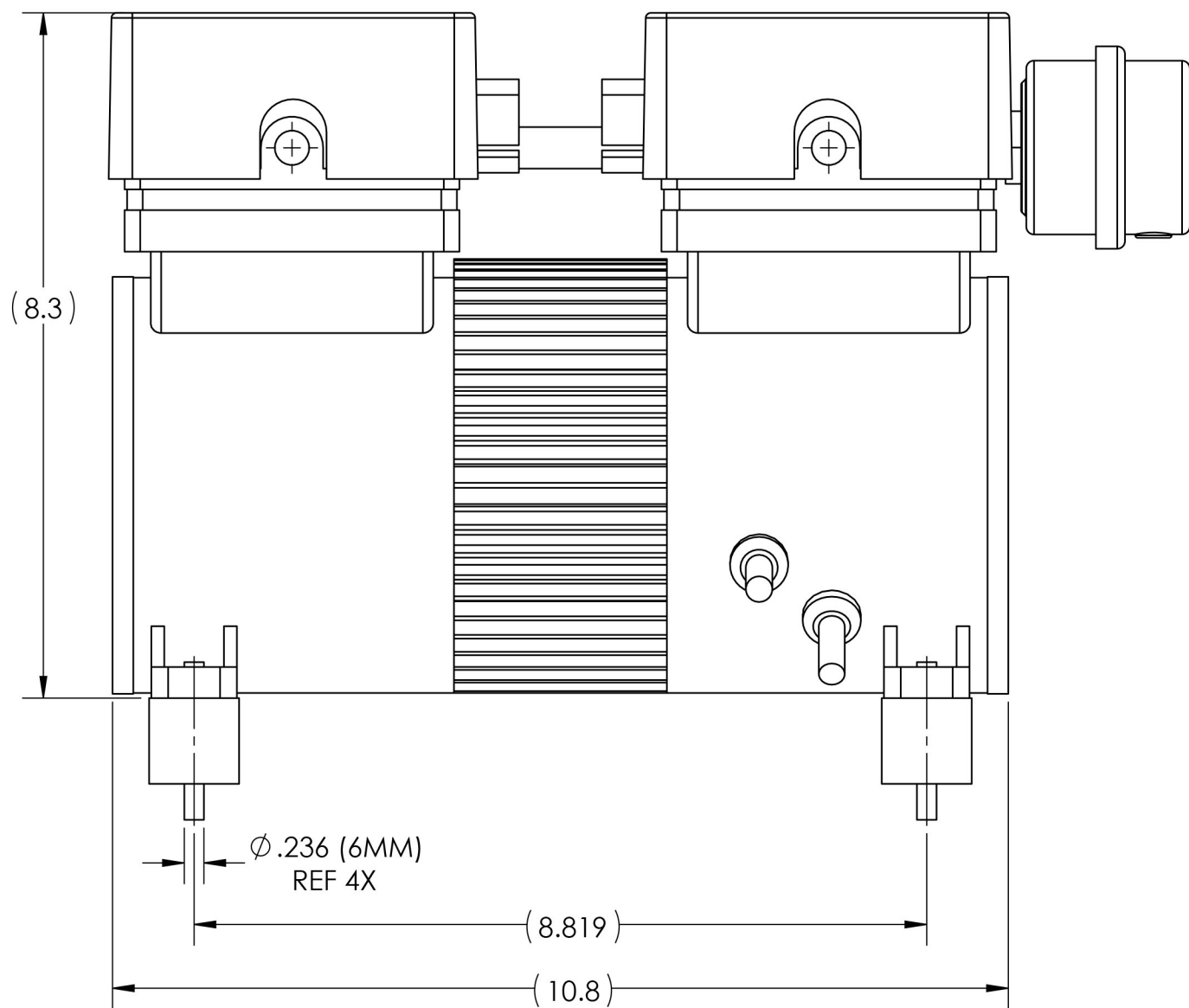
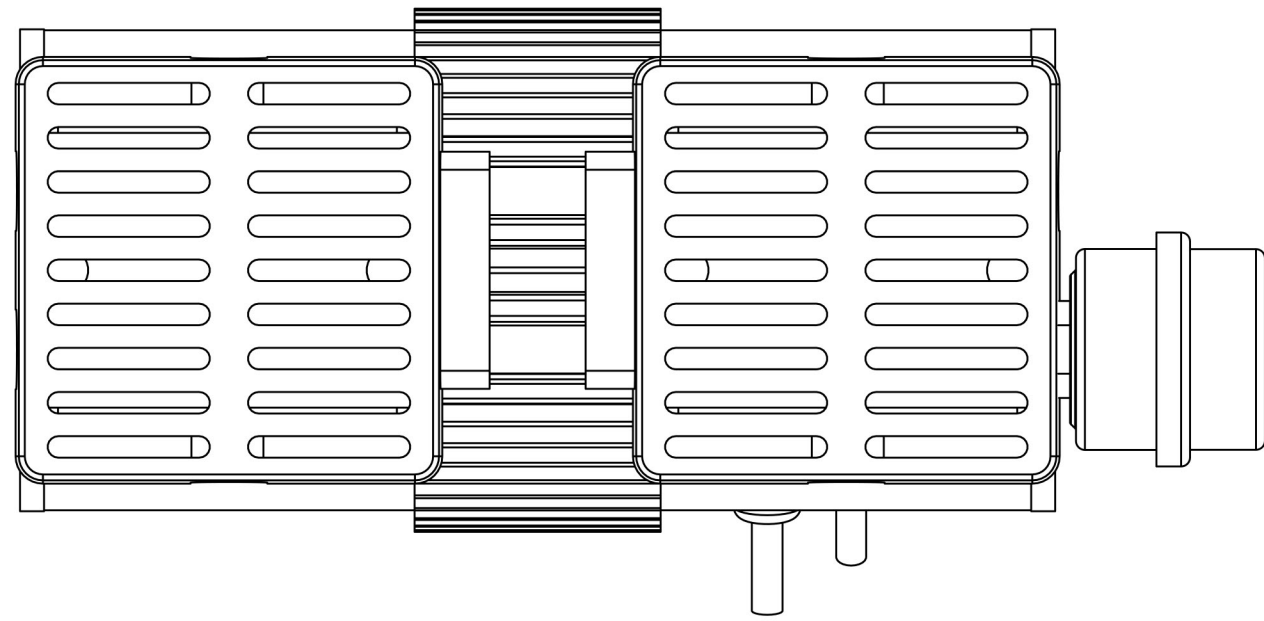


8	7	6
MANUFACTURER	LOCATION	PART NUMBER
CALIFORNIA AIR TOOL	SAN DIEGO, CA	VP-100LF-22060

REVISIONS				
REV.	DESCRIPTION	ZONE	DATE	PCN NO.
B	RELEASE FOR PROD		12/08X/16	



- NOTE:
1. MOTOR: 1 HP, 220 VAC, 60 CYCLE, 7.6 AMP
  2. DISPLACEMENT: 2.2 CFM OPEN FLOW, 28 IN. HG MAX VACUUM
  3. VIBRATION MOUNTS, 20uF RUN CAPACITOR, AND MUFFLER SHIPPED LOOSE
  4. UL RECOGNIZED

REF	DCC	DS		
<b>DRAWING STATUS</b>				
STATUS SUPERSEDED BY FOR SERVICE USE				
TOLERANCES NOT SPECIFIED:			<b>PUMP, VACUUM</b>	
XXX DECIMALS (EXCEPT HOLES): .005			FIRST USED ON	
PUNCHED HOLE TOLERANCES .005			NEXT ASSY	
DRILLED HOLE TOLERANCES UP TO .124 DIA. +.003 -.001 .125 TO .249 DIA. +.004 -.002 .250 TO .624 DIA. +.005 -.002 .625 TO 3.000 DIA. +.010 -.002			DATE: SEE NOTE	
CHAMFERS DESIGNATED BY (C) .020/.040X45°/50°			DATE: SEE NOTE	
ANGLES: 1±			SCALE: 1:2	
STOCK SIZES: STANDARD COMMERCIAL TOLERANCES APPLY			DATE: 12/01/16	
ALL DIMENSIONS IN INCHES UNLESS OTHERWISE SPECIFIED			SCALE: 1:2	
DO NOT SCALE DRAWING			DRAWING NO: 00-448907	
REPORT ERRORS IMMEDIATELY			SHEET 1 OF 1	
ENGR: ELEC MATL PACK PROD			REV B	